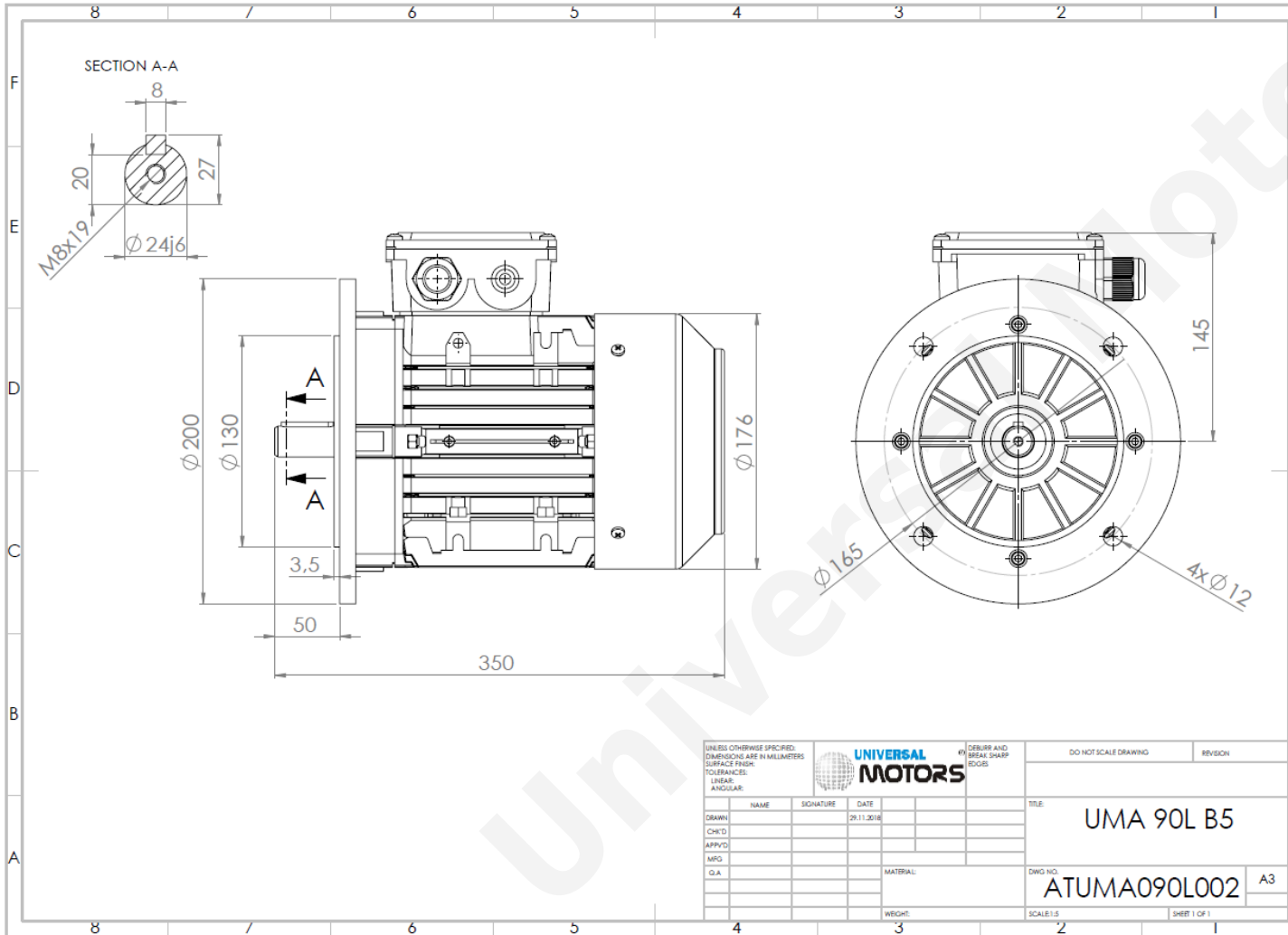




TECHNICAL DATA

Three Phase Electric Motors - Aluminum Frame
 UM3A 90L1-2 IE3
 2.2 kW / 3 Cv
 RPM



| | |
|-----------------------------|------------------------|
| Motor type: | UM3A 90L1-2 IE3 |
| Output: | 2.2 kW / 3 Cv |
| Frequency: | 50 Hz |
| Voltage: | 400 V |
| Current: | 4.4 A |
| Power factor (Cos ϕ): | 0.84 |
| Poles: | 2 |
| Insulation class: | F |
| Temperature rise Class: | B |
| Efficiency 50%: | 84.7 % |
| Efficiency 75%: | 86.1 % |
| Efficiency 100%: | 85.9 % |
| Torque: | 7.3 N.m |
| Tstarting/Tnominal: | 3.3 |
| Istarting/Inominal: | 9.0 |
| Tmaximum/Tnominal: | 3.7 |
| Noise: | 72 Db(A) |
| Weight: | 16.3 Kg |
| Brake AC: | AC4 |
| Torque Brake DC: | 16 N.m |
| Bearing DE: | 6205 2Z |
| Bearing NDE: | 6205 2Z |
| Torque Brake AC: | 20 N.m |
| Brake DC: | REB-05-10 |

Regime - S1

Altitude - 1000m

Environment Temperature - 40°C

CONTACTS:

UNIVERSAL MOTORS Tel: +351 252 299 080
 Rua de São Brás,745 Fax: +351 252 299 089
 4480-782 VILA DO CONDE Mail: geral@universalmotors.pt

* References applied only in the UK